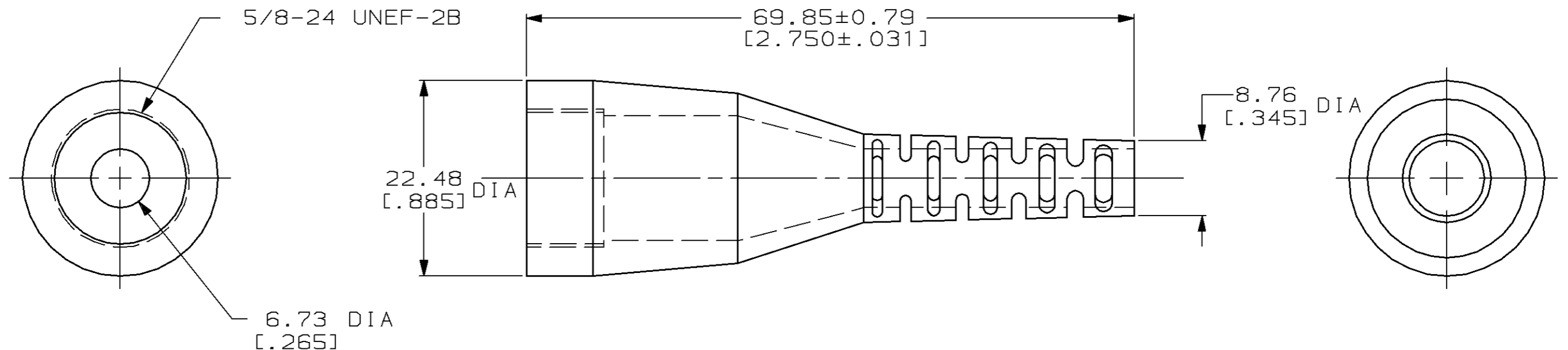


THIS DRAWING IS UNPUBLISHED. RELEASED FOR PUBLICATION, 19 .
© COPYRIGHT 19 BY AMP INCORPORATED. ALL INTERNATIONAL RIGHTS RESERVED.

MOD	LOC	DIST	P	F	ZONE	LTR	DESCRIPTION	DATE	APPD
4	BD	35				B	REDRAW W/O CHANGE PER EC 0020-600-94	07/29/94	AF



1. CABLE RANGE IS 3.81 [.150] - 6.35 [.250] WHEN USED WITH CABLE GRIPPER P/N 207490-1.

207489-1
PART NO

DO NOT SCALE PRINT. UNLESS SPECIFIED DIMENSIONS IN mm [INCHES] TOLERANCES ON: 2 PLC DEC ± 0.13 [.005] 3 PLC DEC ± - ANGLES ± -	DR 07/29/94 M.BINNER	AMP AMP Incorporated Harrisburg, PA 17105-3608
	CHK 8-8-94 R.STONE	
	APPD 8-9-94 A.FRANTUM	
	APPD 8-9-94 A.FRANTUM	
MATERIAL THERMOPLASTIC COLOR: BLACK	PRODUCT SPEC -	NAME CABLE BOOT, FLEXIBLE, SIZE II, CPC
FINISH -	APPLICATION SPEC -	SIZE B CAGE CODE 00779 DRAWING NO C-207489
	WEIGHT -	SCALE 2:1 SHEET 1 OF 1

THIS DRAWING IS A CONTROLLED DOCUMENT FOR AMP INCORPORATED. IT IS SUBJECT TO CHANGE AND THE CONTROLLING ENGINEERING ORGANIZATION SHOULD BE CONTACTED FOR THE LATEST REVISION.